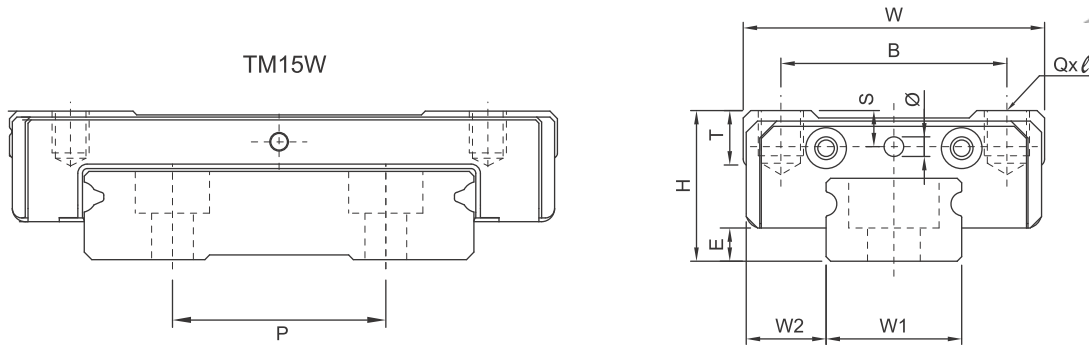
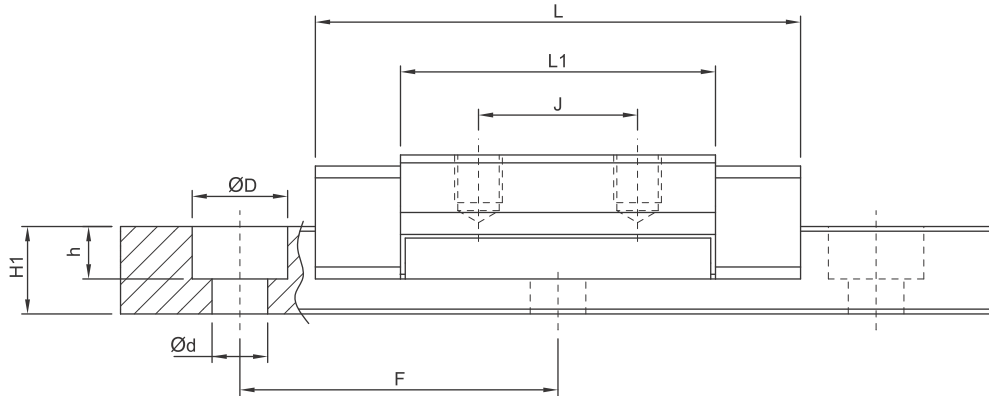


## TM-W Series Specifications



Model No.	Assembly (mm)			Rail(mm)								Block(mm)						
	H	W2	E	W	B	J	T	L	L1	Qxℓ	Ø	W1	H1	ØD	h	Ød	F	P
TM09WN	12	6	3.4	30	21	12	4	39.1	26.7	M3x3	1.3	18	7.3	6	4.5	3.5	30	
TM09WL	12	6	3.4	30	23	24	4	50.7	38.3	M3x3	1.3	18	7.3	6	4.5	3.5	30	
TM12WN	14	8	3.9	40	28	15	4.5	44.4	29	M3x3.5	1.3	24	8.5	8	4.5	4.5	40	
TM12WL	14	8	3.9	40	28	28	4.5	59.4	44	M3x3.5	1.3	24	8.5	8	4.5	4.5	40	
TM15WN	16	9	4.1	60	45	20	4.8	55.3	38.5	M4x4.5	1.3	42	9.5	8	4.5	4.5	40	23
TM15WL	16	9	4.1	60	45	35	4.8	74.4	57.6	M4x4.5	1.3	42	9.5	8	4.5	4.5	40	23



Model No.	Load Rating (kgf)		Static Permissible Moment					Weight	
	C	Co	Mx(kgf-mm)	My(kgf-mm)		Mz(kgf-mm)		Block (kg)	Rail (kg/m)
			Single Block	Single Block	Double Block	Single Block	Double Block		
TM09WN	208	368	4,645	1,621	12,205	1,621	12,205	0.03	0.97
TM09WL	260	509	7,123	3,905	23,411	3,905	23,411	0.043	
TM12WN	313	530	10,190	2,864	23,153	2,864	23,153	0.05	1.47
TM12WL	415	796	15,748	7,083	46,164	7,083	46,164	0.076	
TM15WN	517	856	26,387	5,459	42,543	5,459	42,543	0.116	2.85
TM15WL	686	1,283	41,779	14,144	87,256	14,144	87,256	0.175	

